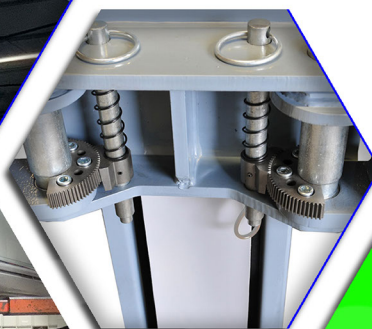
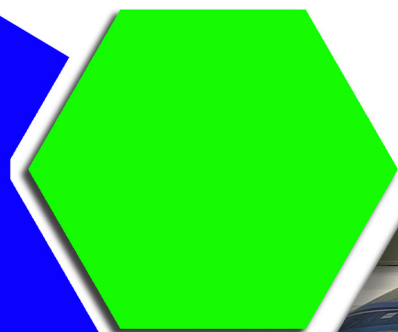


Braddock



N.G.E.

GARAGE EQUIPMENT SERVICES LTD



Product Brochure 2021



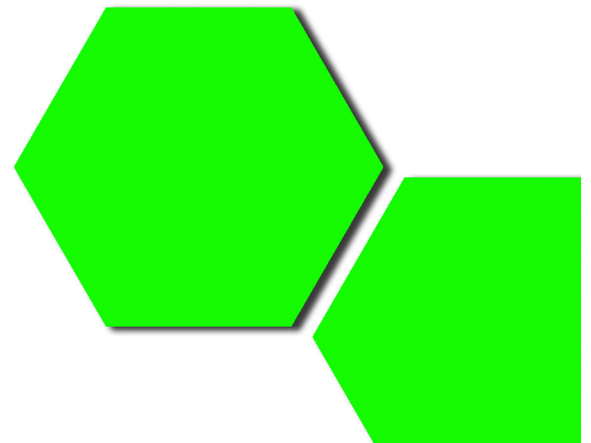
GARAGE EQUIPMENT SERVICES LTD



Bradock FR-6010 3-ton
Mid-rise hydraulic scissor-lift



Bradock 24BM 4-ton
2-post hydraulic lift



Bradock FR-6010 3-ton hydraulic scissor-lift

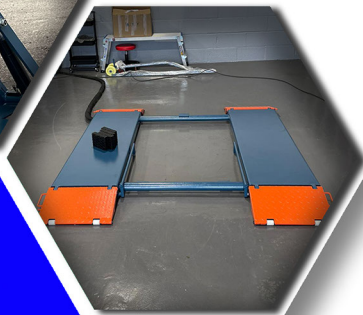
Bradock

The Compact Solution

Introducing the Bradock FR-6010 3-ton mid-rise hydraulic scissor-lift; a space-saving lifting solution for garages, workshops, and even home use. The compact size and manoevrability make it the ideal choice when work-space or ceiling height is a factor. Suitable for indoor and outdoor use, it is perfect for vehicle maintenance, cleaning, or bodywork repairs.



Huge 3000kg capacity



Low profile drive-on



User-friendly controls



Advanced safety features



Low ceiling height

- ✓ Workshops
- ✓ Tyre Fitters
- ✓ Bodyshops
- ✓ Detailers
- ✓ Car Repairers
- ✓ Classic Car Enthusiasts
- ✓ Home Use

Just plug in and go

The Bradock FR-6010 comes with a fitted 240v plug and runs from any domestic outlet.

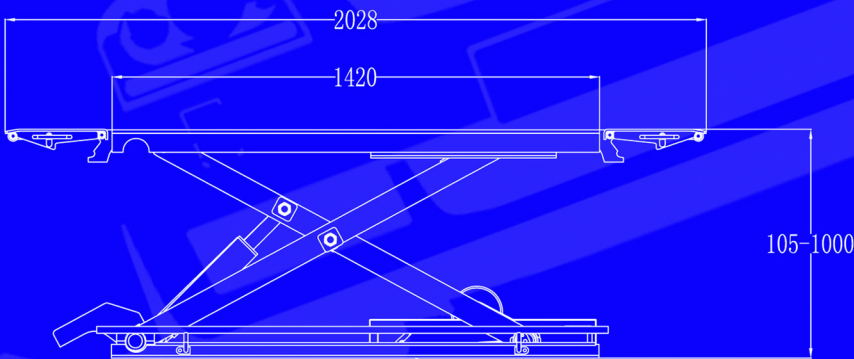
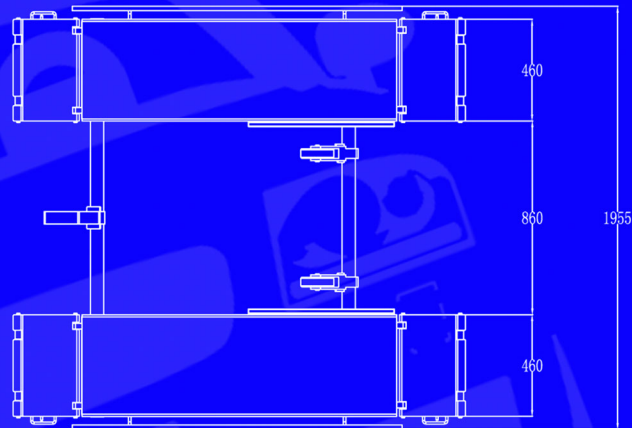
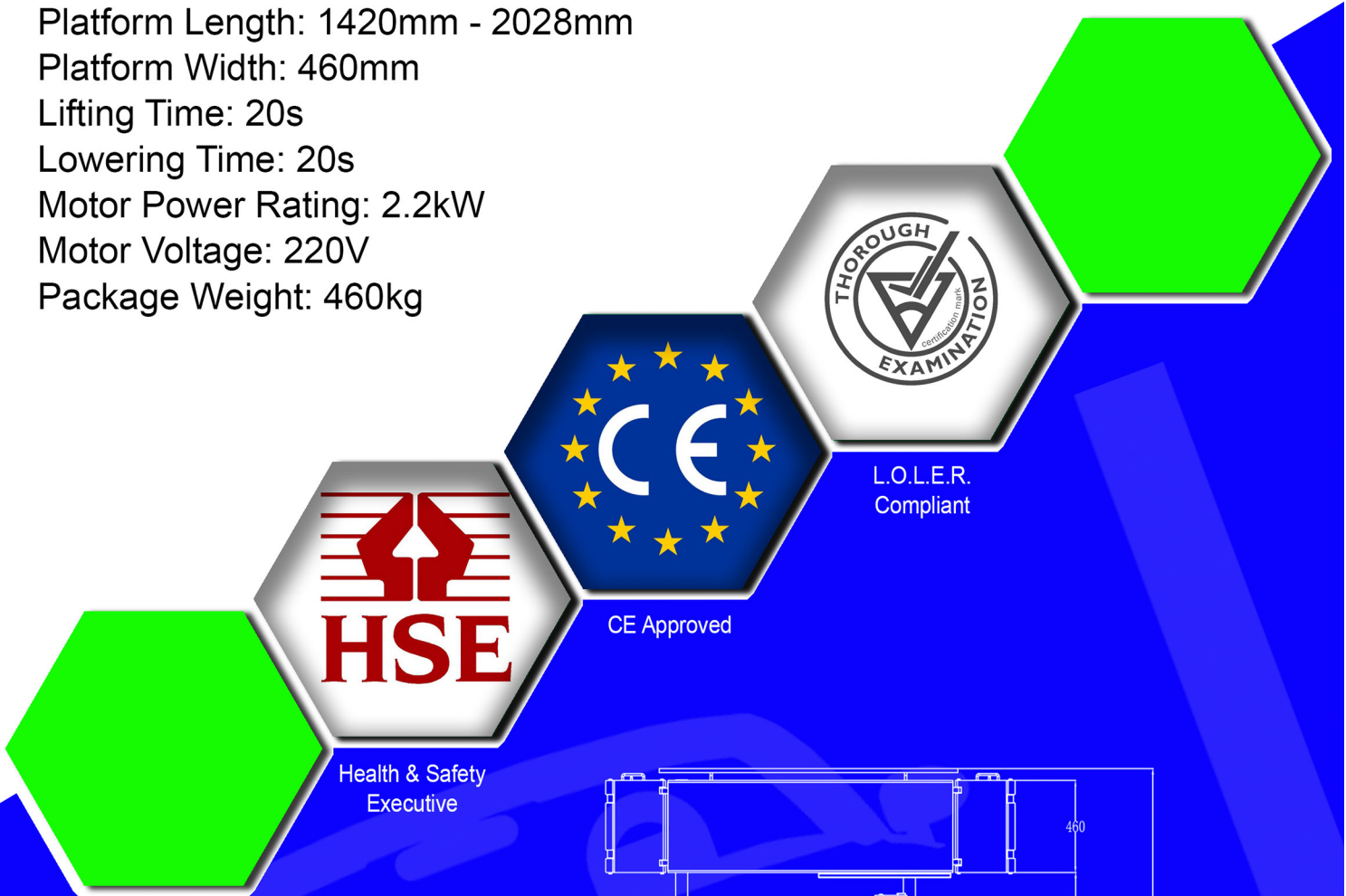
All lifts are tried and tested, and filled with hydraulic oil before leaving the depot to ensure your lift is in full working order and ready to go.

We will also arrange a 6 or 12-month plan for servicing your lift alongside your 2-year warranty.

Includes: Safety Lock & Release / 4 Rubber Lifting Blocks / Heavy-Duty Wheels / Handles / Manual / Remote Control Handset

Technical Specifications

SWL: 3 Tons (3000kg)
Max Lifting Height: 1000mm
Minimum Height: 105mm
Platform Length: 1420mm - 2028mm
Platform Width: 460mm
Lifting Time: 20s
Lowering Time: 20s
Motor Power Rating: 2.2kW
Motor Voltage: 220V
Package Weight: 460kg



NGE Garage Equipment Services LTD
62 Mansfield Lane
Calverton
Nottingham
NG14 6HL
0115 9655186 / 07973 528601
ngeservicesltd@gmail.com

Bradock 24BM 4-ton 2-post hydraulic lift

Bradock

Power and Versatility

Introducing the Bradock 4-Ton 2-Post hydraulic lift. Single-Phase or Three-Phase option available. Bolts directly to the workshop floor giving a much lower arm-pad height for low-sided vehicles. Gives unrestricted access to the underside of any vehicle, perfect for easy access to gearboxes, drive-shafts, exhausts, rear axles, and for easy servicing of brakes etc. Can be lowered onto its safety park lock at any height.



Quality switch box



Telescopic arm pads



Automatic arm locks



Heavy duty power pack



Heavy duty cylinder rams

Key Features

Lifts up to 4000kg (4-ton)

Single-Phase/Three-Phase

Low Arm-Pad height

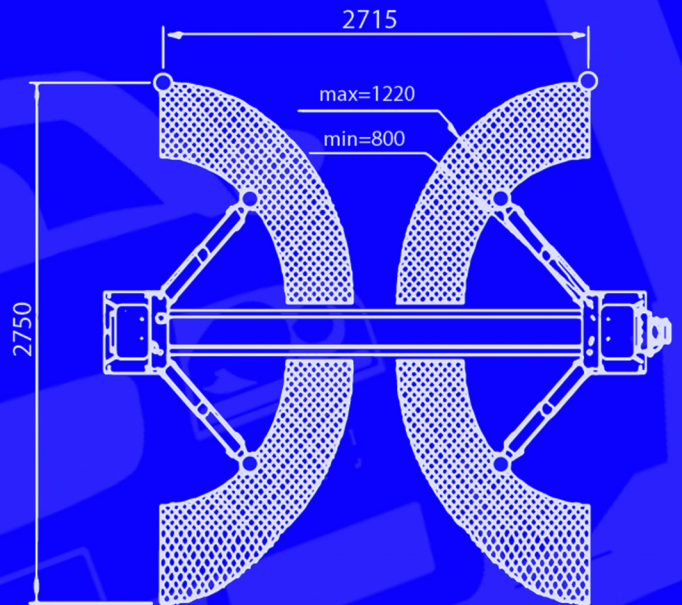
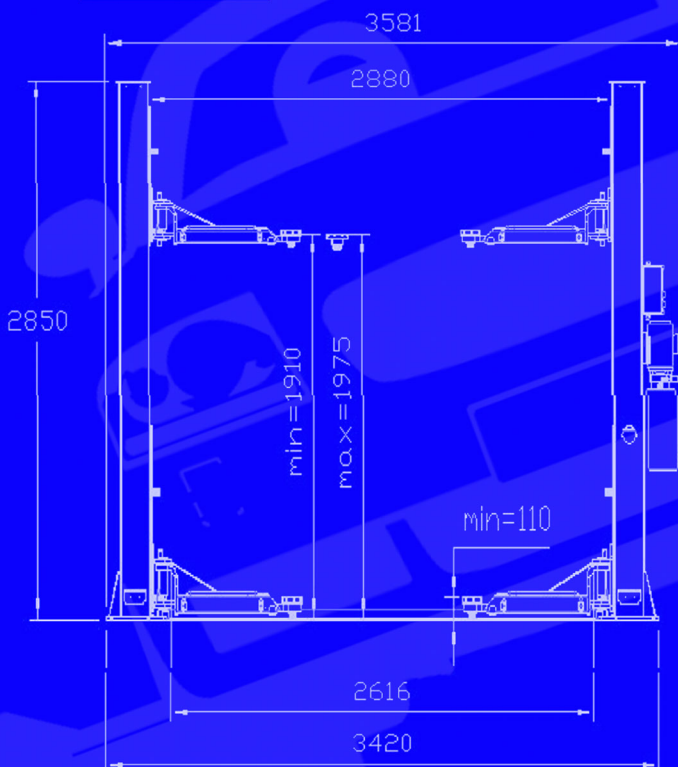
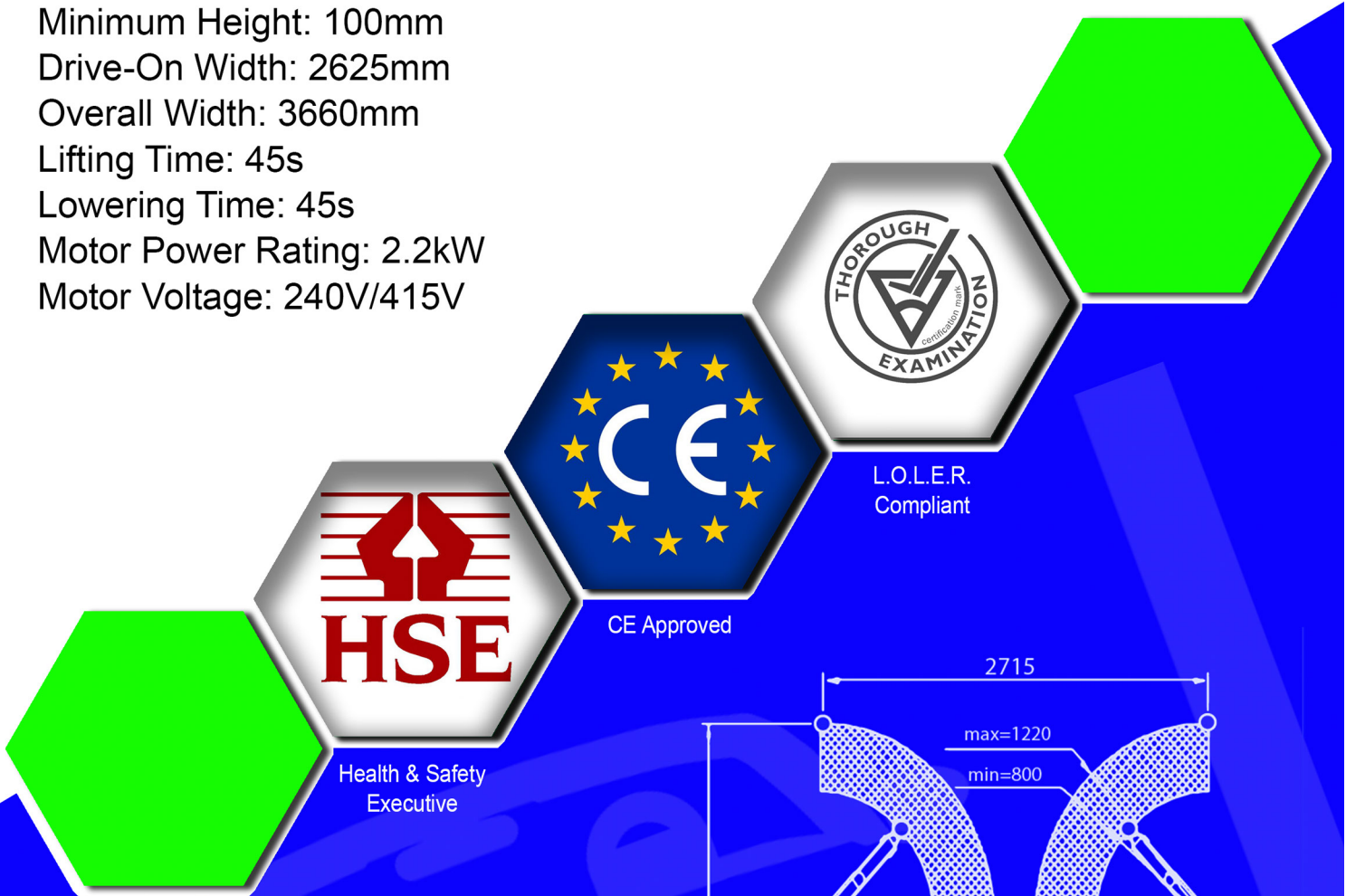
CE Approved

HSE Compliant

12 Months Warranty

Technical Specifications

SWL: 4 Tons (4000kg)
 Max Lifting Height: 1975mm
 Overall Height of Posts: 2850mm
 Minimum Height: 100mm
 Drive-On Width: 2625mm
 Overall Width: 3660mm
 Lifting Time: 45s
 Lowering Time: 45s
 Motor Power Rating: 2.2kW
 Motor Voltage: 240V/415V



NGE Garage Equipment Services LTD
 62 Mansfield Lane
 Calverton
 Nottingham
 NG14 6HL
 0115 9655186 / 07973 528601
 ngeservicesltd@gmail.com